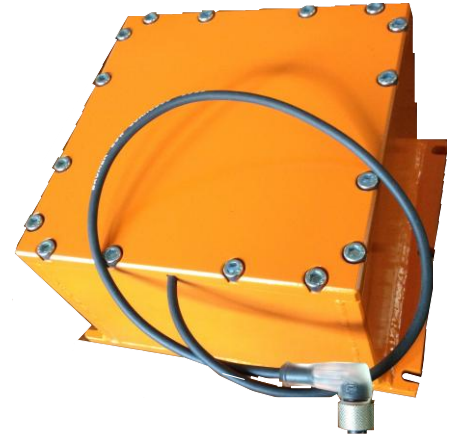
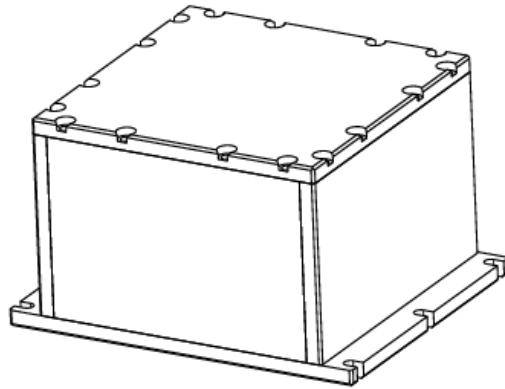
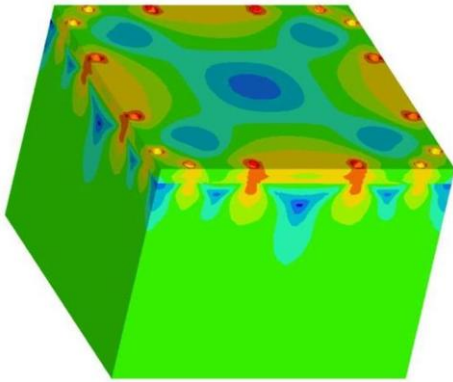


**SIL4 Systems Announces...**  
The SIL4 “*KEYSTONE*™ “  
Crash-Hardened Memory Module



***Rail-Transit Ready Platform: IEEE and FRA Compliant***



***Industry-Leading Performance: Highest Reliability Available***

**Scalable Hi-Density Memory:**

- **Standard Size:** 2GB
- **Optional:** 0.5GB, 1GB, 4GB, 8GB, 16GB
- **Compact (W x D x H):** 7" x 7" x 5"
- **Weight:** 22 lbs (10 kg)

**Communications Interface:**

- **Standard:** USB 2.0 (Ethernet – *inquire*)
- **Connector:** 4-pin M12.
- **Cable Length:** Specify to 24"
- USB H-IF High-Speed Certified
- **File-system:** FAT32 or custom
- Compatible with WIN\_CE; Linux 2.4 + and all USB mass storage host systems.

***High Reliability*** is our mission, our passion, and SIL4's ongoing and relentless commitment.

**High Reliability:**

- **Write-cycles:** 2,000,000
- **Data Retention:** 10 years
- **MTBF** > 2,800,000 hours
- Error-correcting and wear-leveling
- **Data Reliability:** < 1 non-recoverable error /  $10^{14}$  bits read.
- Each *Keystone* carries a unique S/N
- **Cable Length:** Specify to 24"
- RoHS and WEEE compliance optional

669 Washington Road, Pittsburgh, PA 15228

**Contact:** [info@sil4systems.com](mailto:info@sil4systems.com)

**PH:** 412.343.1180

[www.sil4systems.com](http://www.sil4systems.com)